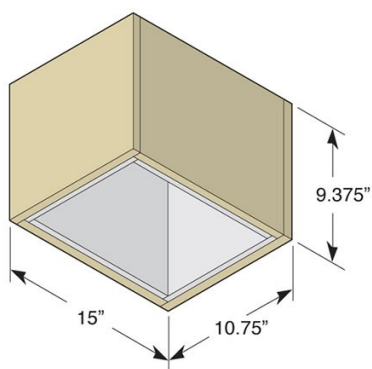


QUIETBOX



RECESSED LIGHT ISOLATION BOX

Product Name	QuietBox
Description	MDF box with fully sealed drywall interior, and hole for electrical wiring.
Application	Used to isolated IC rated recessed lights in ceilings to maintain STC ratings. Fits most brands in for LED, incandescent, CFL, and low voltage housings.
Features and Benefits	<ul style="list-style-type: none">• More mass than double layer 5/8" drywall.• Contains Green Glue Compound between MDF and drywall layer.• Fully sealed with GG Acoustical Sealant.• Includes Type-X fire rated drywall for UL compliance.• Installed using GenieClip LB resilient clips or common framing member.• Velcro included for strong adhesion between light housing and QuietBox.• Designed and manufactured by IsoStore.
Outside Dimensions	10-3/4" width x 15" length x 9-3/8" height
Inside Dimensions	8" width x 12-1/4" length x 8" height
STC Rating	Restores mass lost from light housing. Final rating depends on the assembly.
Weight	18 pounds
Fire Rating	5/8" Type-X interior with UL rated acoustical sealant to meet fire code requirements.



IsoStore

ADDRESS

4013 E Barber Dr
Boise ID 83716

TELEPHONE AND FAX

877.866.6473
208.369.4650

WEB

IsoStore.com
info@IsoStore.com

The information provided is accurate to the best of our knowledge at the time of issue. However, we reserve the right to make changes when necessary without further notification. Suggested applications may need to be modified to conform with local building codes and conditions. We cannot accept responsibility for products that are not used, or installed, to our specifications.