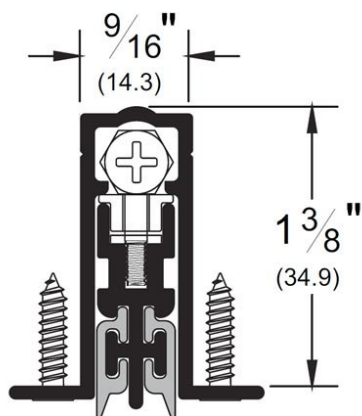


ADB MORTISED



AUTOMATIC DOOR BOTTOM SEAL

Product Name	ADB Mortised
Description	Fully mortised automatic door bottom with aluminum housing and adjustable rubber seal that automatically raises or lowers when the door is opened or closed.
Application	Used to seal the gap along the bottom of doors between the slab and finish floor or threshold.
Features and Benefits	<ul style="list-style-type: none">• Easy to install with instructions and required fasteners included.• Installs fully mortised so the ADB Mortised is not visible.• Rubber seal design allows equal pressure along entire width of the door.• EPDM decoupled rubber seal creates dead air space between double rubber.• Made entirely in the USA.
Dimensions	9/16" thick x 1-3/8" tall
Length	Standard 36", available range of 12" to 60"
Finishes	Clear aluminum
STC Ratings	Independently tested to show zero loss in performance for doors up to STC 56
Other Ratings	UL10C for fire, UL1784 for smoke, BHMA A156.22, ASTM E-283 for air infiltration, ASTM E-90-97 and ASTM E1408-91 for sound control



IsoStore

ADDRESS

4013 E Barber Dr
Boise ID 83716

TELEPHONE AND FAX

877.866.6473
208.369.4650

WEB

IsoStore.com
info@IsoStore.com

The information provided is accurate to the best of our knowledge at the time of issue. However, we reserve the right to make changes when necessary without further notification. Suggested applications may need to be modified to conform with local building codes and conditions. We cannot accept responsibility for products that are not used, or installed, to our specifications.