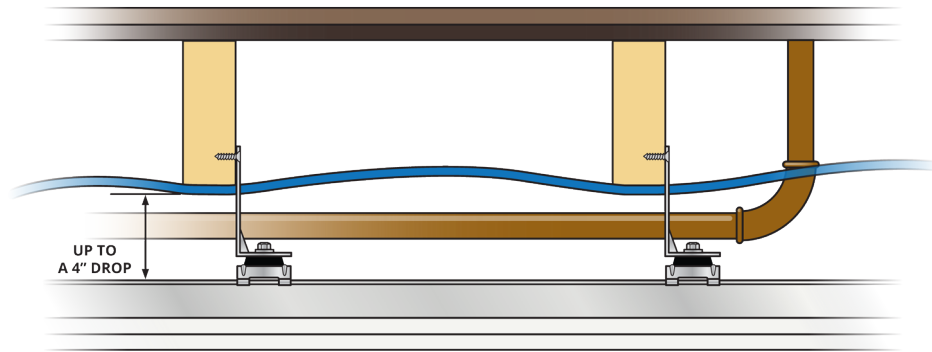


GENIECLIP LB2 INSTALL GUIDE



EXTENSION CLIP FOR CEILINGS

FASTENING THE RESILIENT CLIP, FURRING HAT CHANNEL, AND DRYWALL



FURRING HAT CHANNEL

Use 25 gauge, hemmed edge, furring hat channel. For one or two layers of drywall (up to 6 pounds per square foot total), space the rows of clips and hat channel 24" apart. For triple layer drywall (up to 9 pounds per square foot total), space the rows of clips and hat channel 16" apart. Optimal deflection for the clip will be reached with 30-35 pounds per clip.

WHICH SCREWS TO USE

INSTALLING CLIPS: Wood framing, (2) 1-1/2" #8 coarse thread wood screw. Metal framing, (2) 1" #8 self tapping type S screw.

ATTACHING DRYWALL: Standard 1-1/4" drywall screw for first layer of drywall. For additional layers of drywall, add the measured thickness of each layer to the length of the screw (i.e. 1-1/4" plus 1/2" if you add a 1/2" layer).

SPLICING HAT CHANNEL: 1/2" pan head steel stud framing screw or similar.

LAYOUT PATTERN

Staggered layout is recommended for ceiling joists with less than 8" in depth. The staggered layout is similar to standard, but each 'column' of clips is offset by one stud with each subsequent row.

OTHER USEFUL TIPS

- Use two screws to fasten each GenieClip LB2.
- From joist to joist, each clip should be spaced a maximum of 4 feet apart.
- Attempt to space your hat channel rows evenly across the surface to help with weight distribution for each clip.
- Install perimeter clips within 6" of the adjacent framing. Spanning beyond 6" will create a weak angle which may affect drywall finish.
- Maintain up to a 1/4" perimeter gap around the ceiling. Fill this gap with acoustical sealant before taping or texturing.
- Splice hat channel connections between clips with a 6" overlap using a basic 1/2" pan head steel stud framing screw or similar.
- Chalk line the clips before installing to make sure the clips and channel are installed in a straight line.
- Avoid installing channel over vents. Stop channel short of vent and start up on the other side of vent. Add 2 clips and 1 channel to the side of the vent to maintain stability around the vent opening.

IsoStore

TELEPHONE

877.866.6473
208.514.1931

WEB

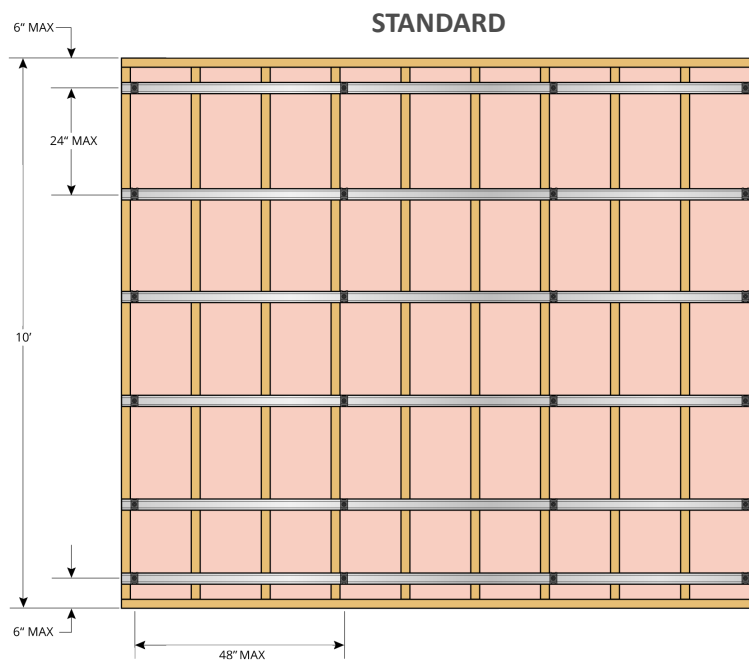
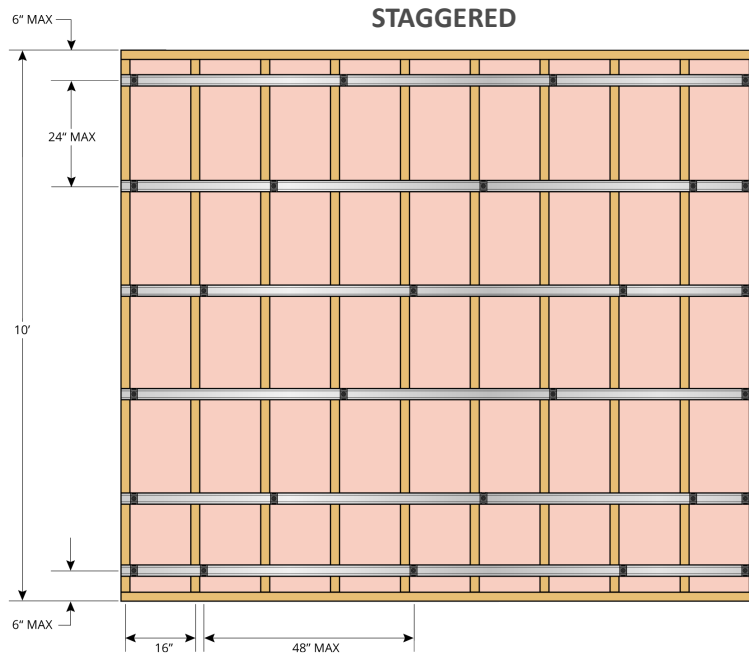
isostore.com
info@isostore.com

GENIECLIP LB2 INSTALL GUIDE



EXTENSION CLIP FOR CEILING

CLIP LAYOUT OPTIONS



IsoStore

TELEPHONE
877.866.6473
208.514.1931

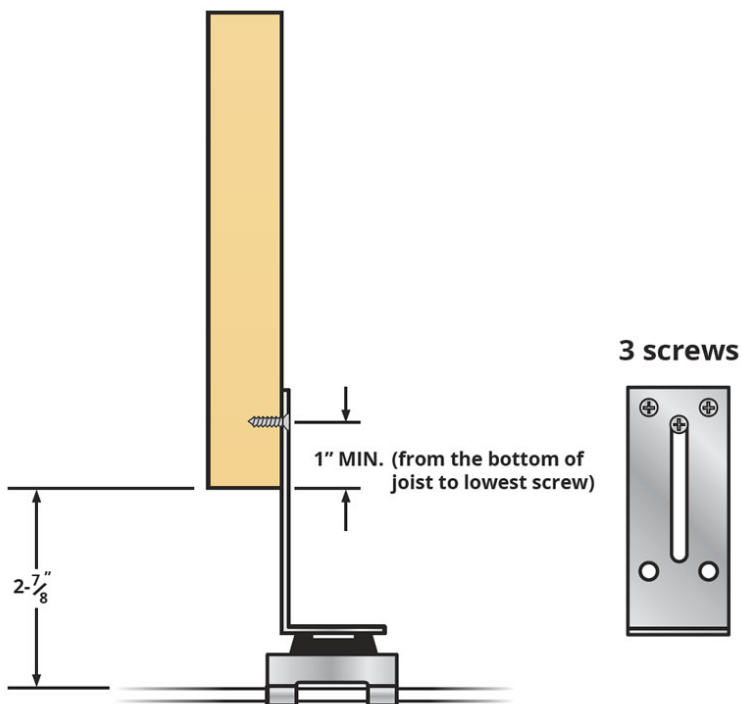
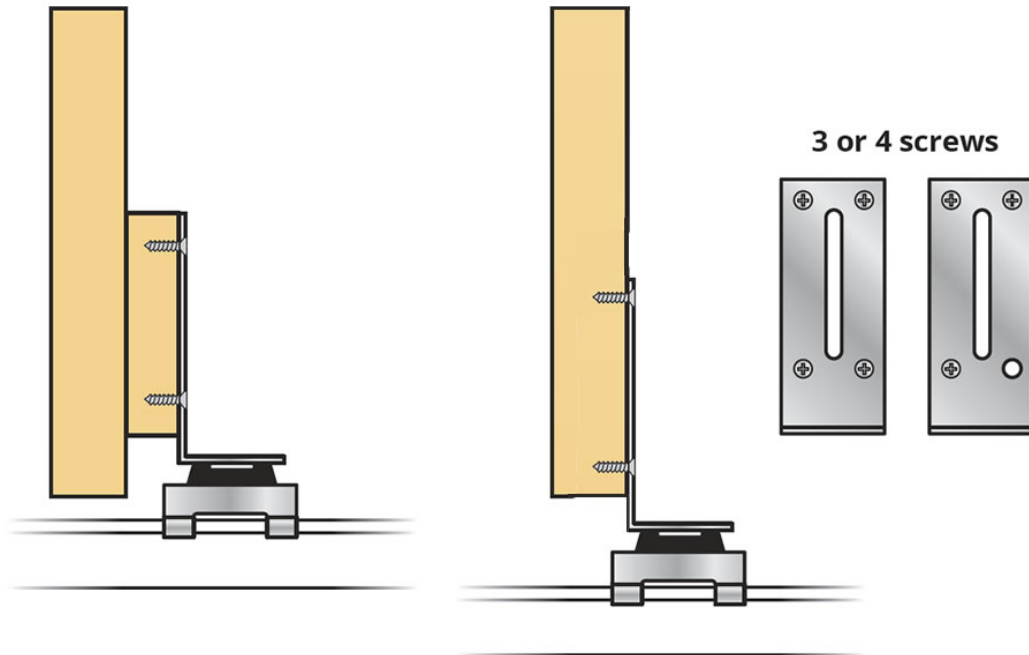
WEB
isostore.com
info@isostore.com

GENIECLIP LB2 INSTALL GUIDE



EXTENSION CLIP FOR CEILING

FASTENING OPTIONS



IsoStore

TELEPHONE
877.866.6473
208.514.1931

WEB
isostore.com
info@isostore.com